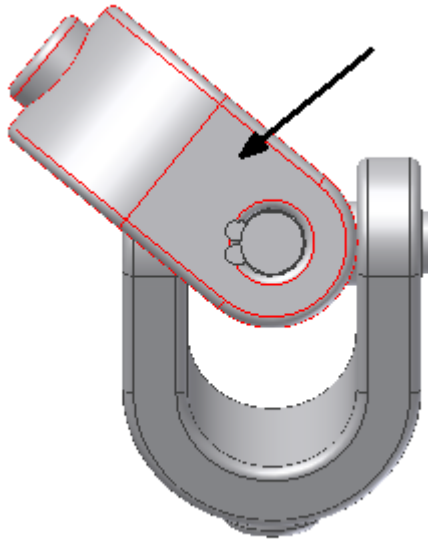


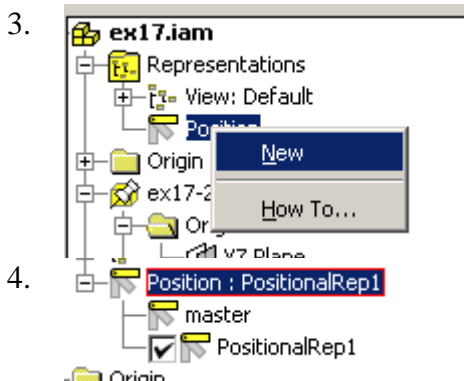
## Creating Positional Representations

File: [ex17.iam](#)  
Estimated Time: 15 minutes

1. Open the assembly.
- 2.



Place your mouse over the top link.  
Hold down the left mouse button to move the link from left to right.



Expand the Representations folder.  
Highlight the **Position** category.  
Right click and select **New**.



The master position is automatically created. This is the default position.  
The PositionalRep1 is a copy of the master.

Rename the Position **Leftside**.

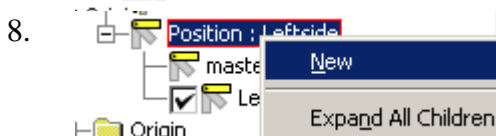
To rename, simply left click on the name to activate the text edit mode.



Highlight the **Position** category.  
 Right click and select **New**.



Rename the Position **Middle**.



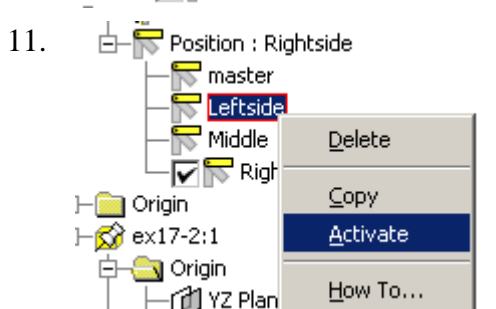
Highlight the **Position** category.  
 Right click and select **New**.



Rename the Position **Rightside**.



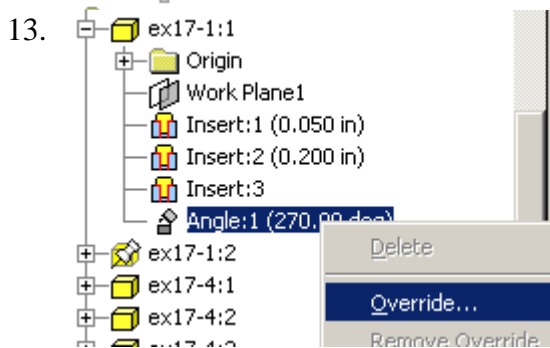
You should have four positions defined:  
 Master  
 Leftside  
 Middle  
 Rightside



Highlight the **Leftside** position.  
 Right click and select **Activate**.

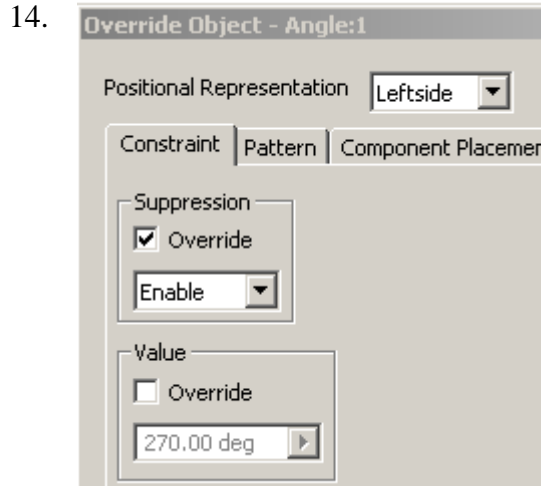


A checkmark should appear next to the Leftside position to indicate that it is active.



Highlight the part ex17-1:1 that is the top link.

Right click on the **suppressed Angle constraint** and select **Override**.



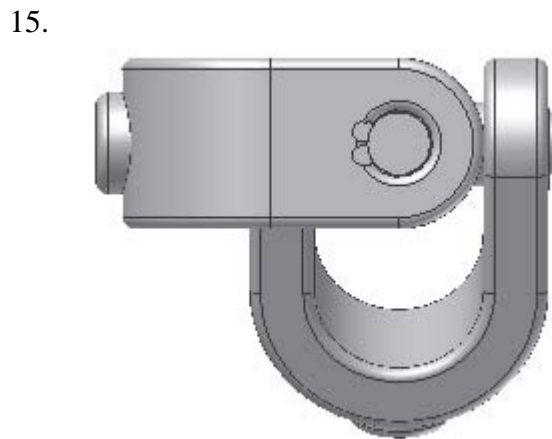
Select the Constraint tab.

You should see Leftside as the active Positional Representation at the top of the dialog.

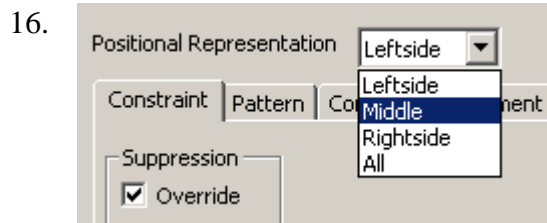
Under Suppression:  
Enable **Override**.  
Select **Enable** from the drop-down. This will enable the Angle constraint.

Under Value:  
Disable **Override**.

Press **Apply**.

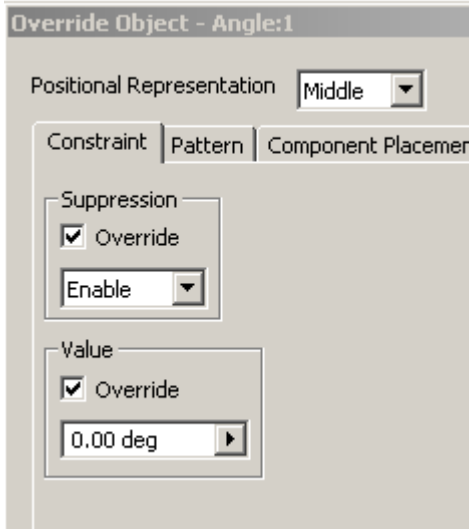


The link flips to the left side.



Under Positional Representation, select **Middle** from the drop-down list.

17.



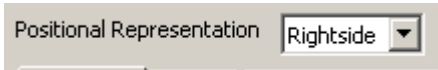
Select the Constraint tab.

Under Suppression:  
 Enable **Override**.  
 Select **Enable** from the drop-down. This will enable the Angle constraint.

Under Value:  
 Enable **Override**.  
 Set the angle to **0.00**.

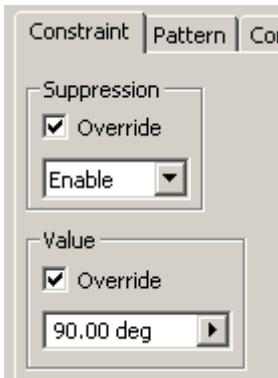
Press **Apply**.

18.



Under Positional Representation, select **Rightside** from the drop-down list.

19.



Select the Constraint tab.

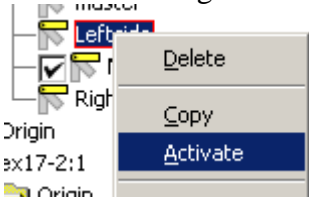
Under Suppression:  
 Enable **Override**.  
 Select **Enable** from the drop-down. This will enable the Angle constraint.

Under Value:  
 Enable **Override**.  
 Set the angle to **90.00**.

Press **Apply**.

20. Close the dialog.

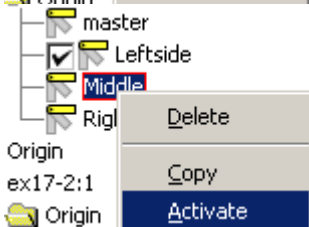
21.



Highlight the **Leftside** position.  
 Right click and select **Activate**.

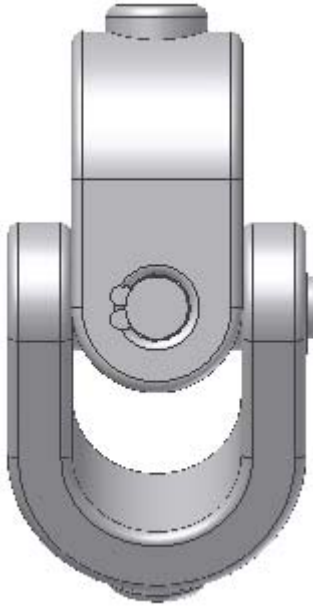
The link should shift to the left side.

22.



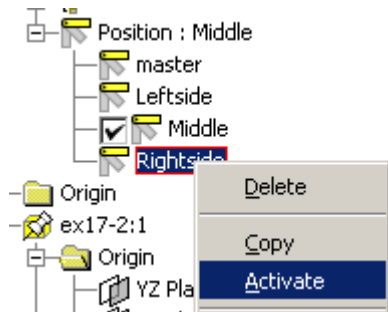
Highlight the **Middle** position.  
 Right click and select **Activate**.

23.



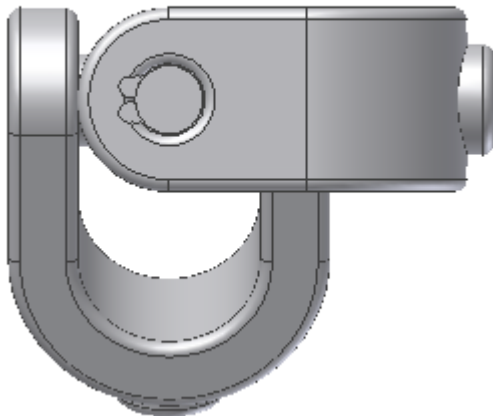
The link should shift to the middle/center position.

24.



Highlight the **Rightside** position.  
Right click and select **Activate**.

25.



The link should shift to the right position.

26. You have created three positional representations which can be used for overlay views.



**TIP:** In order for this exercise to work properly, the angle constraint was applied using a Directed Angle.