

Exercise:
Autodrop Content

Projects - Select a project file	
Project name	Project location
Default	
Fundamentals exercises	C:\Schroff\Inventor R.11 Fundamentals\
kleer	C:\enqsemi\enqsemi\
R11 Fundamentals	C:\Schroff\Inventor R.11 Fundamentals\
✓ samples	C:\Program Files\Autodesk\Inventor 11\Samples\
tutorial_files	C:\Program Files\Autodesk\Inventor 11\Tutorial Files\

Activate the *samples* project.

Select **New**.



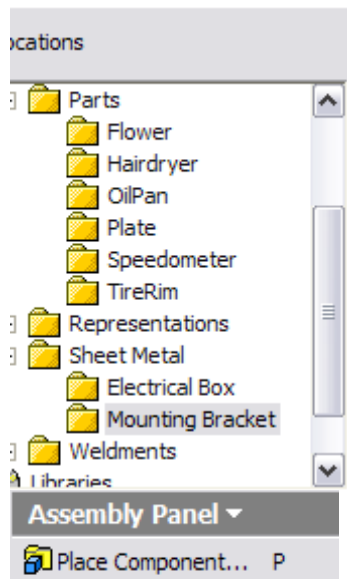
New



Standard.iam

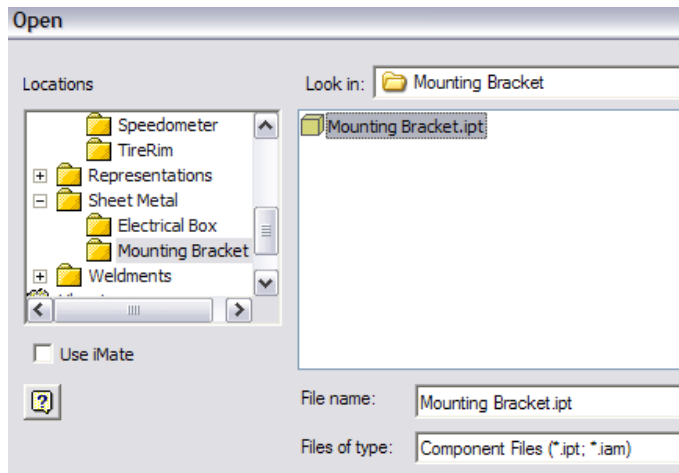
Select the *Standard.iam* template.

Press **OK**.

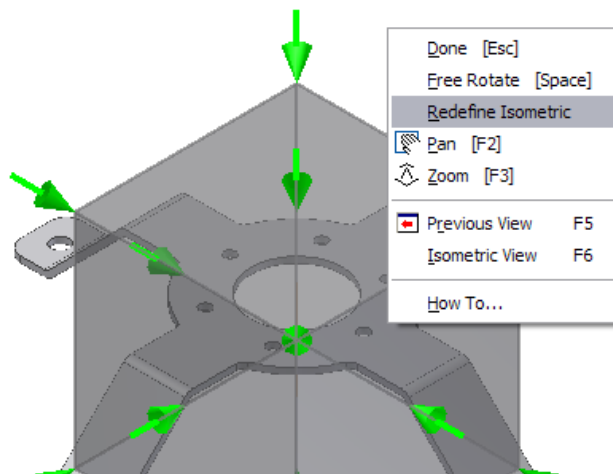


Browse to the *Mounting Bracket* folder.

Select **Place Component**.



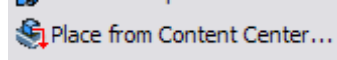
Open the *Mounting Bracket* file located under *Sheet Metal\Mounting Bracket*.



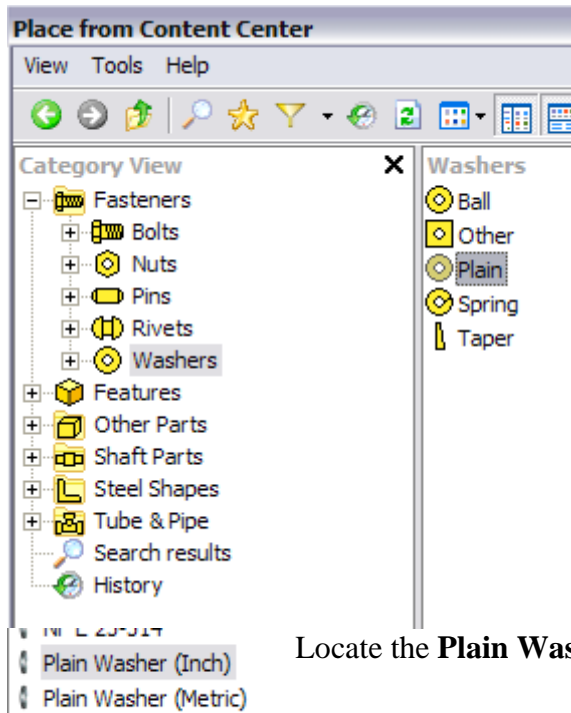
Use **Redefine Isometric** to change the iso view of the part.

Select 3D Orbit, right click to access **Common Space**, reorient the part, right click and select **Redefine Isometric**.

Select **Done** on the right click menu.



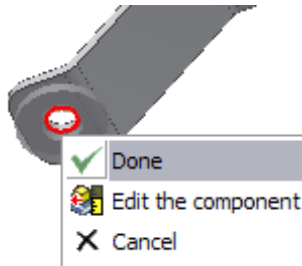
Select **Place from Content Center**.



Browse to the **Plain Washer** under *Fasteners\Washers*.

Locate the **Plain Washer (Inch)**.

Press **OK**.

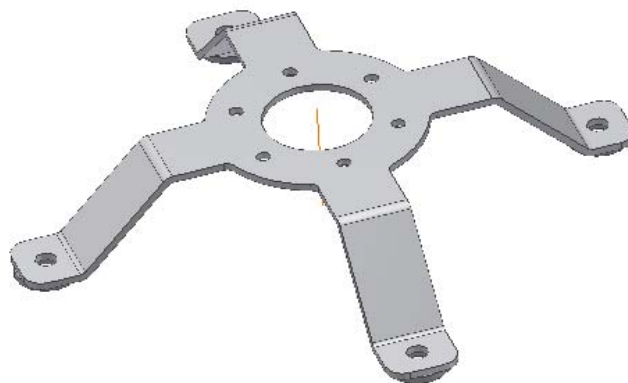


The washer will appear at the end of your cursor.

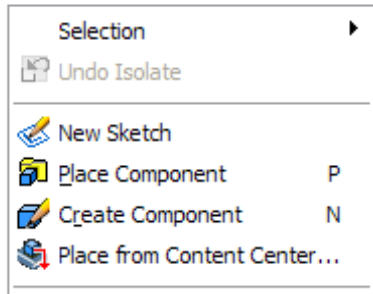
Move your cursor over one of the holes at the bottom of the bracket.

Right click and press **Done** to place.

Repeat to place washers on the additional legs.



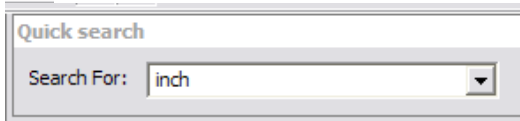
Reorient the bracket for a top iso view.



Right click to select **Place from Content Center**.



Select the **Search** tool.

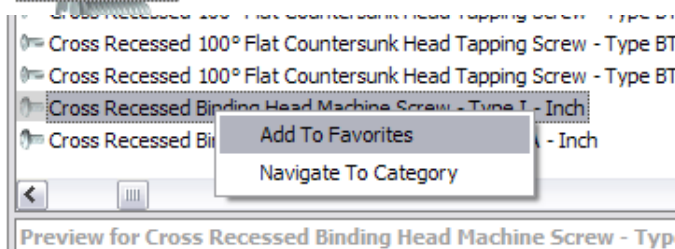
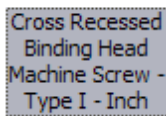


Type **inch** in the search text field.

Press the **Search Now** button.



Locate the **Cross Recessed Binding Head Machine Screw** in the search results.

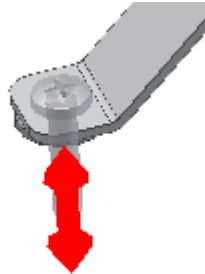


Right click and select **Add to Favorites**.



Select the **Star** tool to show the **Favorites** list.

Double click to activate it.

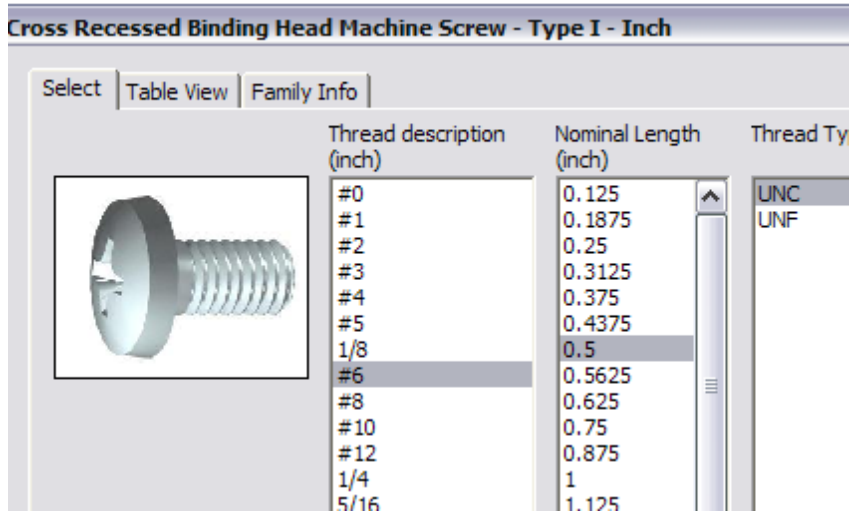


Place it in one of the legs.

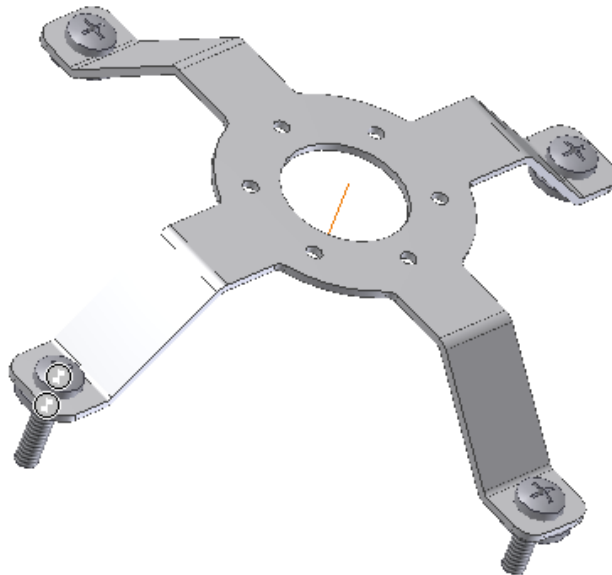
Use the Red Arrows to increase the length of the screw.



Select the **Edit** button.



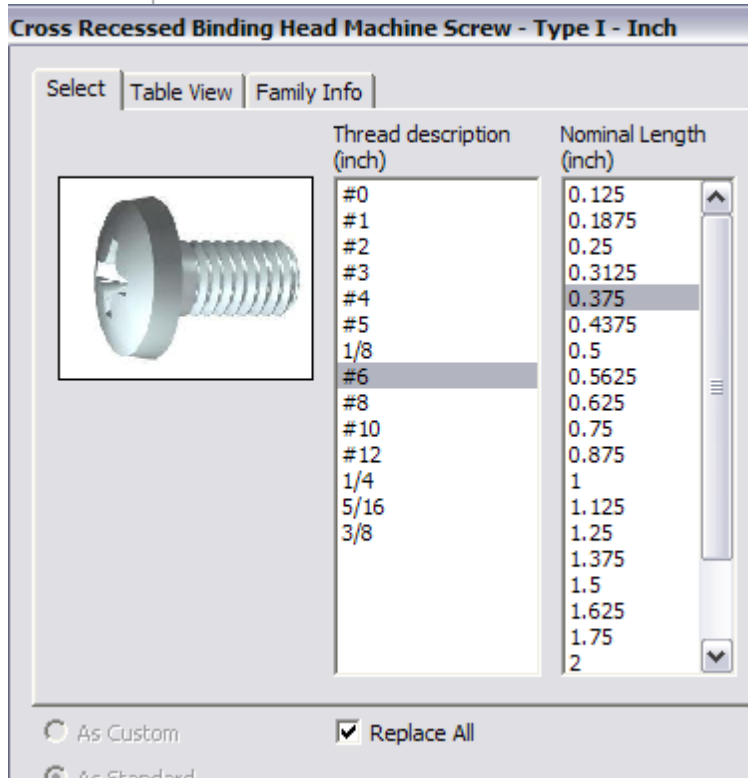
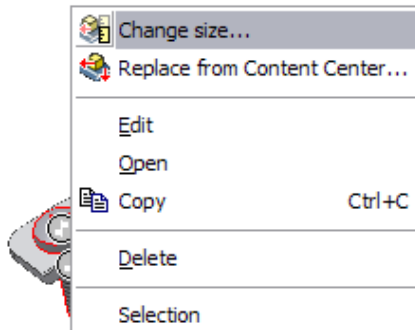
Select the **0.5** length.
Press **OK**.



Repeat for all four legs.

Select one of the screws.

Right click and select **Change Size**.



Set the Length to **0.375**.

Enable **Replace All**.

Press **OK**.

Filename: autodrop.doc
Directory: C:\tutorials
Template: C:\Documents and Settings\Elise Moss\Application
Data\Microsoft\Templates\Normal.dot
Title: Exercise:
Subject:
Author: elise moss
Keywords:
Comments:
Creation Date: 7/20/2006 6:55 AM
Change Number: 15
Last Saved On: 7/20/2006 8:03 AM
Last Saved By: elise moss
Total Editing Time: 69 Minutes
Last Printed On: 7/20/2006 8:04 AM
As of Last Complete Printing
Number of Pages: 6
Number of Words: 265 (approx.)
Number of Characters: 1,273 (approx.)